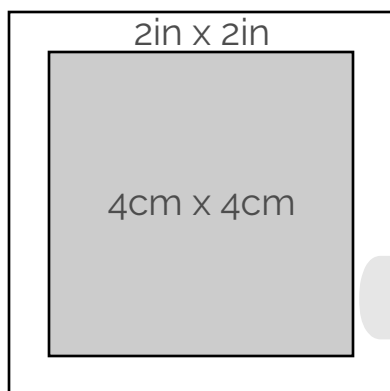


STRAIGHT STITCH





DESIGNS

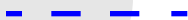
MAE TUNIC



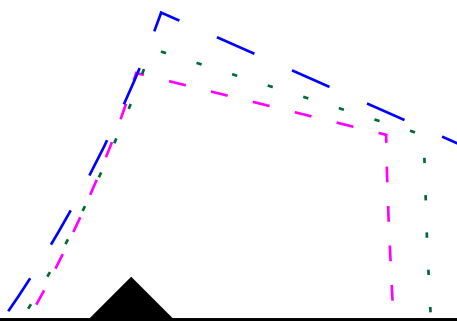
SIZE KEY

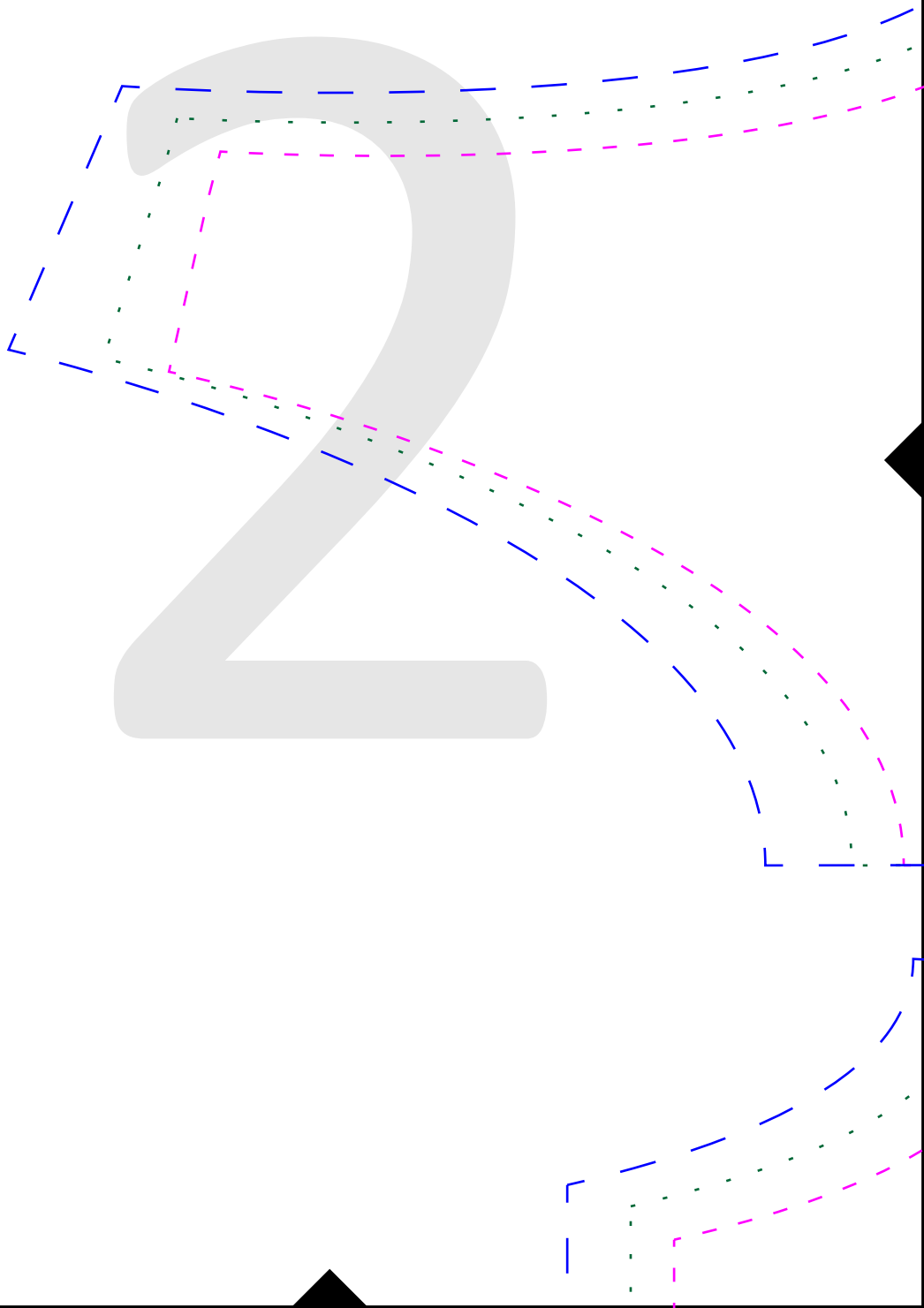
2t 

3t 

4t 

3/8" Seam Allowance





STRAIGHT STITCH



DESIGNS



Mae Tunic

Front

Cut 1 on Fold

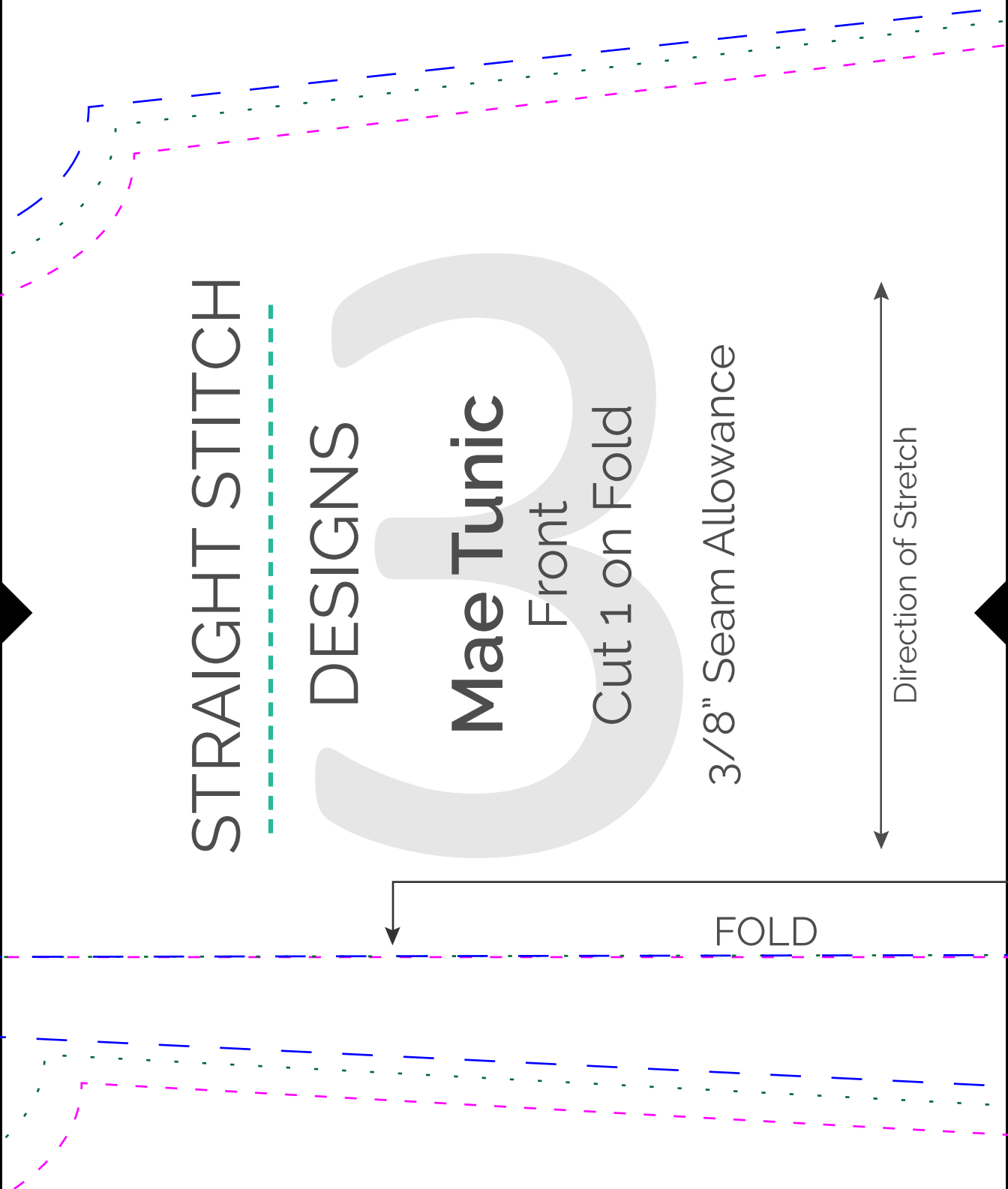
3/8" Seam Allowance



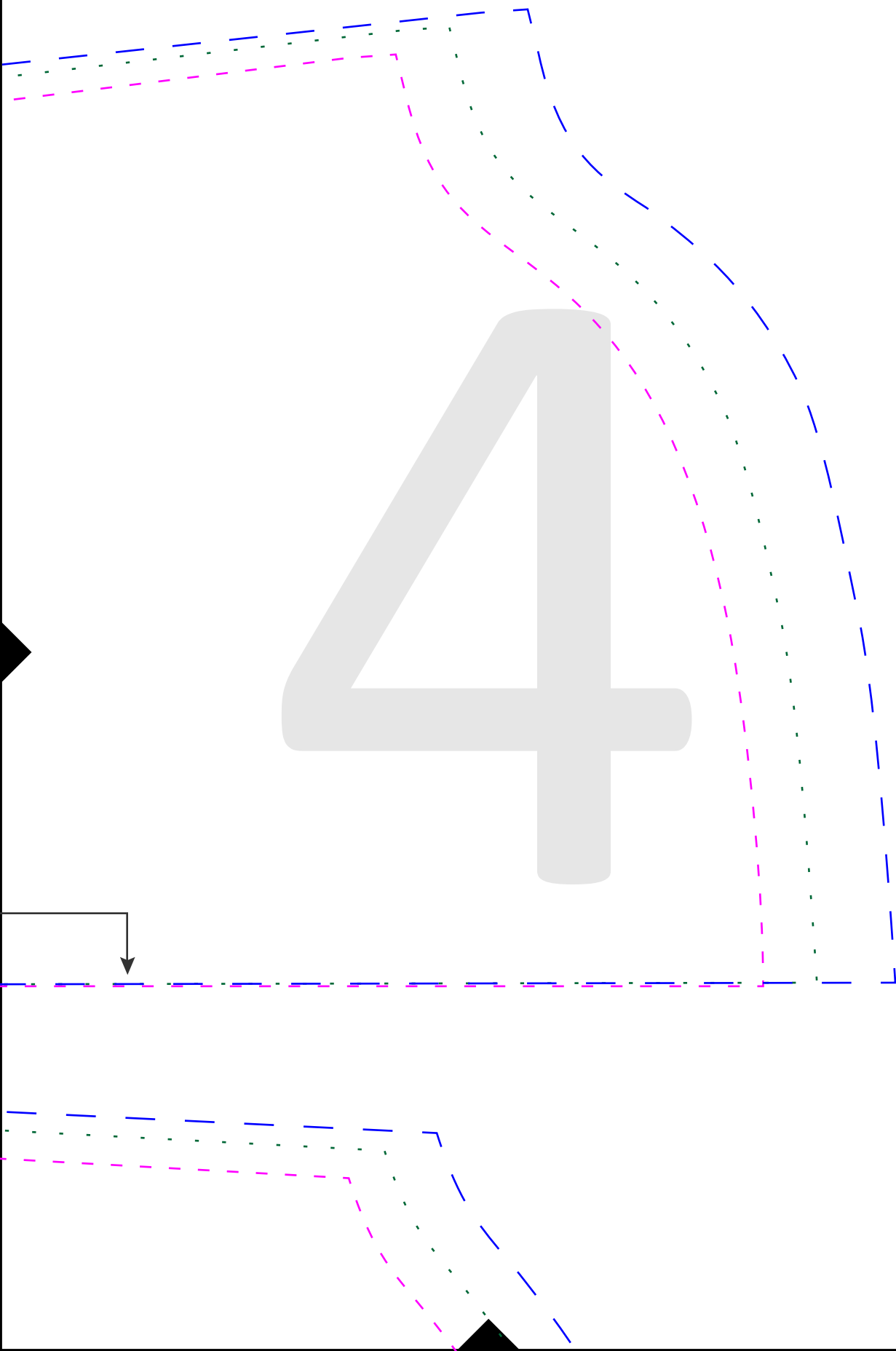
FOLD



Direction of Stretch



4



STRAIGHT STITCH

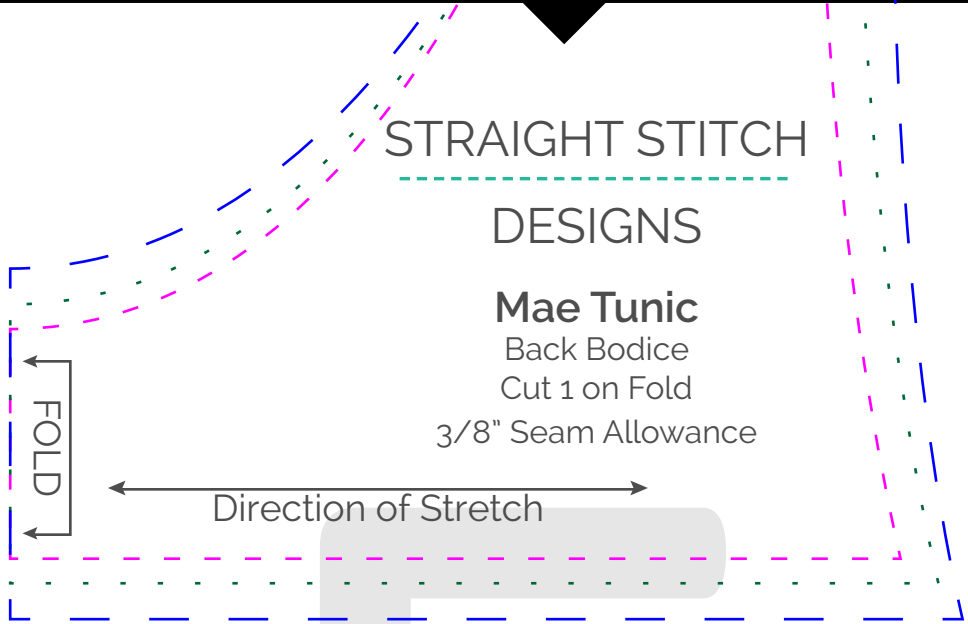
DESIGNS

Mae Tunic

Back Bodice

Cut 1 on Fold

3/8" Seam Allowance



STRAIGHT STITCH

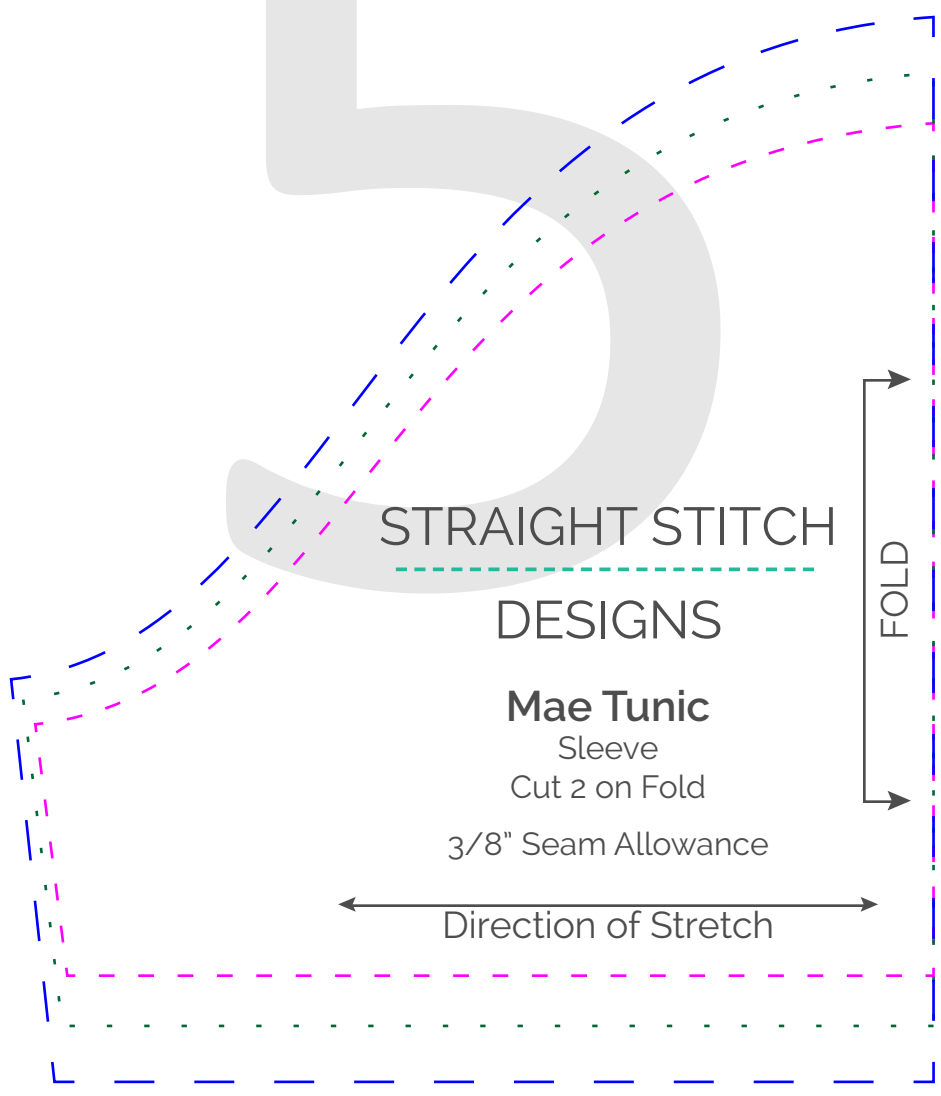
DESIGNS

Mae Tunic

Sleeve

Cut 2 on Fold

3/8" Seam Allowance



STRAIGHT STITCH



DESIGNS



Mae Tunic

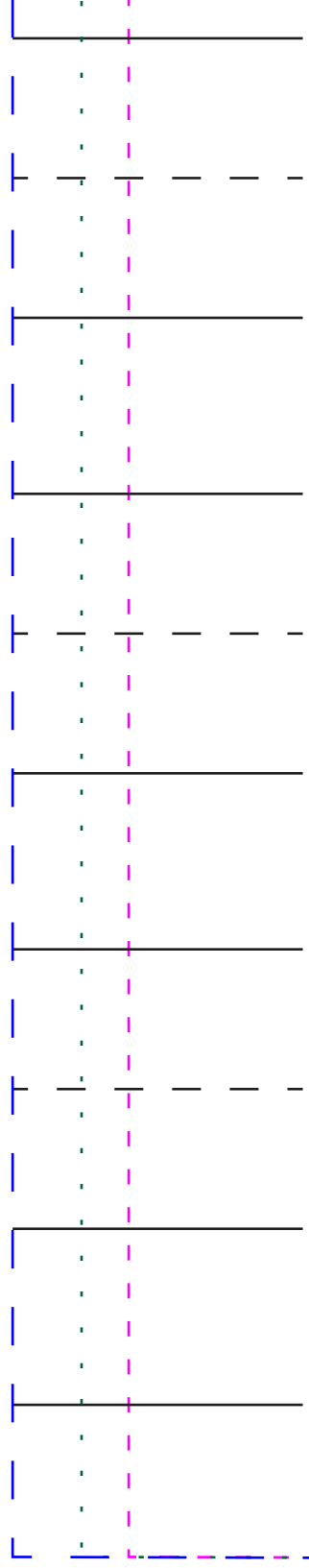
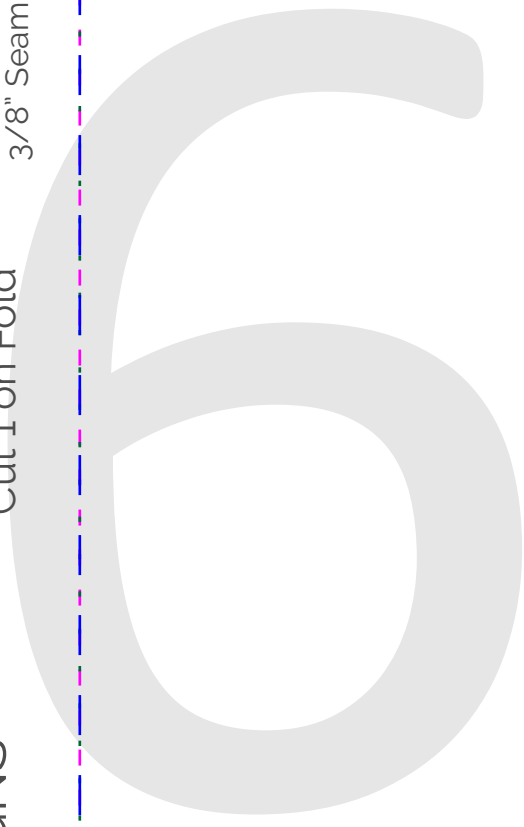
Neckband

Cut 1 on Fold



Direction of Stretch

3/8" Seam Allowance



STRAIGHT STITCH

DESIGNS

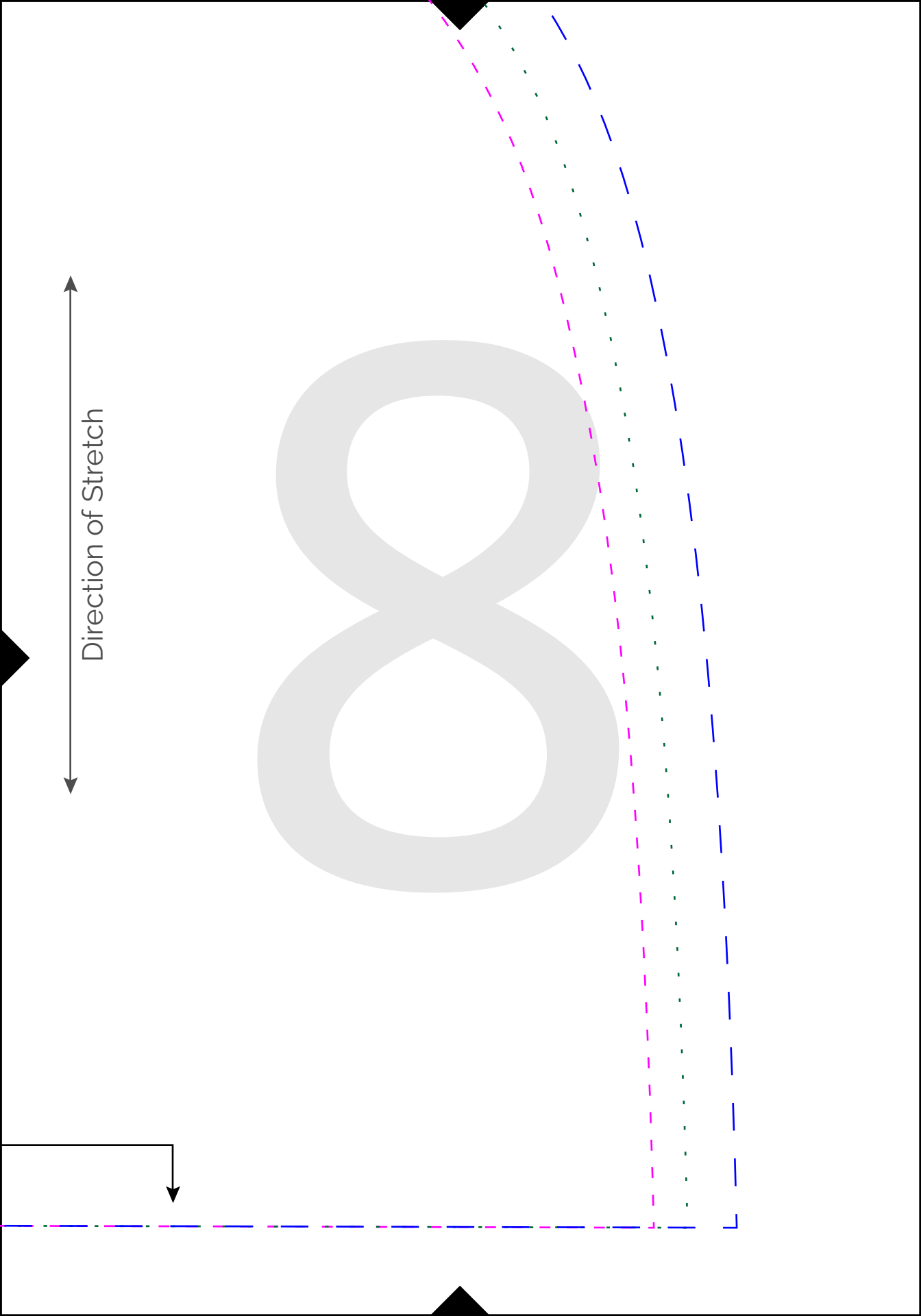
Mae Tunic

Back

Cut 1 on Fold

3/8" Seam Allowance

FOLD



Direction of Stretch